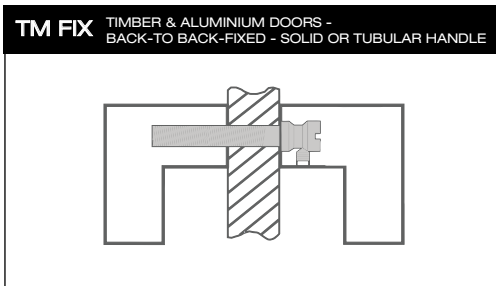
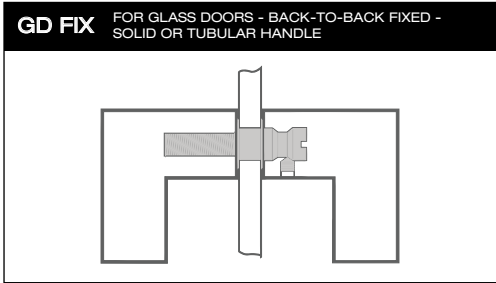
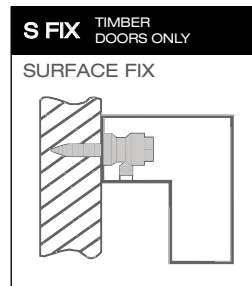
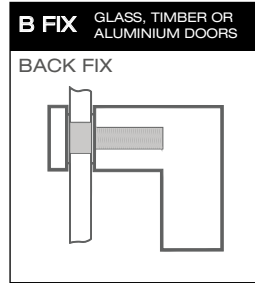


Entrance Handle Installation Guide

Back-To-Back Fix



Single Fix



DRILLING DETAILS

Glass Door Fixing

All Entrance Handles
 $\varnothing 10\text{mm}$ Bolt = $\varnothing 15\text{mm}$ hole

ITEMS BELOW ARE NOT RECOMMENDED FOR GLASS
 6280, 6283, G2006, G2010-100,
 G2506, G2510-100, G2810-150

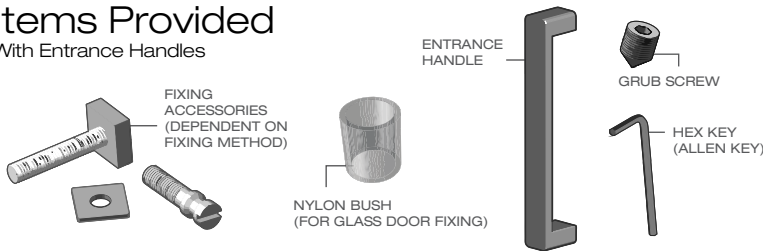
Timber and Aluminium Door Fixings

All Entrance Handles
 $\varnothing 10\text{mm}$ Bolt = $\varnothing 12\text{mm}$ hole

6280 & 6283: $\varnothing 5\text{mm}$ Bolt = $\varnothing 7\text{mm}$ hole

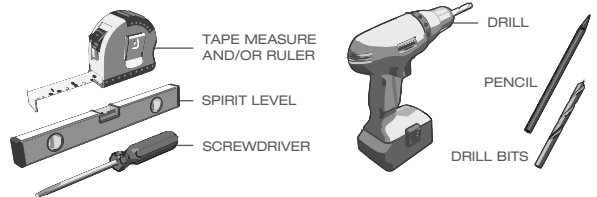
Items Provided

With Entrance Handles



Items Not Provided

Suggested tools to be used



Care and Maintenance Guide

Brass Based Products

Maintenance

Finishes on all products are produced to the highest quality standards to ensure they remain in perfect order year after year. However some finishes can deteriorate if they are exposed to corrosive vapors, coastal air, salt spray or humidity. Soft finishes, which include polished brass, polished chrome and satin chrome, are susceptible to discolouration if they come into contact with air, moisture, or paint, particularly in exterior locations and wet areas. To help slow deterioration, it is suggested to regularly wipe these finishes with a soft non-abrasive cloth and occasionally polish with a furniture wax.

Stainless Steel

Care and Maintenance

There are many advantages with stainless steel, but it is steel, and steel does rust. Regardless of grade, cleaning is paramount, especially in coastal areas. The aesthetic and hygienic surface appearance of stainless steel products cannot be regarded as completely maintenance free. All grades and finishes of stainless steel may in fact stain, discolour or attain an adhering layer of grime in normal service. To achieve maximum corrosion resistance, the surface of the stainless steel must be kept clean. The cost and frequency of cleaning stainless steel is lower than for many other materials. Surface contamination and the formation of deposits are critical factors that may lead to drastically reduced life. These contaminants may be minute particles of iron or rust from other non-stainless steel items nearby. Industrial, commercial, domestic and naturally occurring atmospheric conditions can result in deposits, which can be quite corrosive. An example is salt deposits from marine conditions.

Maintenance During Installation

Cleaning of new handles should not present any special problems, although more attention may be required if the installation period has been prolonged. Where surface contamination is suspected, immediate attention to cleaning will promote a trouble-free service life.

Ongoing Maintenance

To keep the original appearance of the product ongoing maintenance must be conducted once the surface appears dirty. This may vary from between approximately one to four times a year for external applications or it may be once a day for an item in hygienic or aggressive situations. Stainless steel is easy to clean. Washing with soap or a mild detergent and warm water followed by a clean water rinse is usually adequate for domestic and architectural situations. Rust and other corrosion can be removed by adding one part nitric acid to nine parts warm water. Leave for 30 to 60 minutes, then wash off with plenty of water. For slight scratches - use impregnated nylon pads (Scotch-Brite®) following satin lines.

The choice of a proper cleaning product is based upon the user's own preferences. Depending on the type of cleaning and level of contamination, some products are better than others. Although some products are called "stainless steel cleaners", they may scratch the surface, and many contain chlorine bleach that will dull, tarnish, or discolour the surface if not completely removed. We recommend Eagle One Nev-Dull® (available from Designer Doorware). We also reiterate that the mildest cleaner possible should be used for the particular task. Rubbing should follow the satin lines of the steel and always ensure the surface is thoroughly rinsed after cleaning. For routine cleaning (as indicated above), the cleaning products most recommended are gentle soaps and detergents or mild mixtures of ammonia.

Warranty Information

Product Guarantee

Designer Doorware Pty Ltd guarantees their products against defects in workmanship and materials. If the product is found to be defective, Designer Doorware will repair or supply the same or an equivalent product free of charge in accordance with the terms and conditions of the country of sale. Brass and all plated finishes are classified as soft finishes; as deterioration is possible under some climatic conditions, these are excluded for this guarantee. Any modifications to a product as supplied, or repairs are excluded from this guarantee.

Claims

Any shortage or damage claims must be made within 7 days of the date of receipt of goods.

Product Design

In the interest of constantly improving products, we reserve the right to alter dimensions, materials and designs at any time.

Contact Us

t + 61 3 9300 8888
 f + 61 3 9310 1866
 sales@designerdoorware.com.au
 designerdoorware.com.au

14 Adams Crt, Sunshine, Victoria,
 Australia, 3020

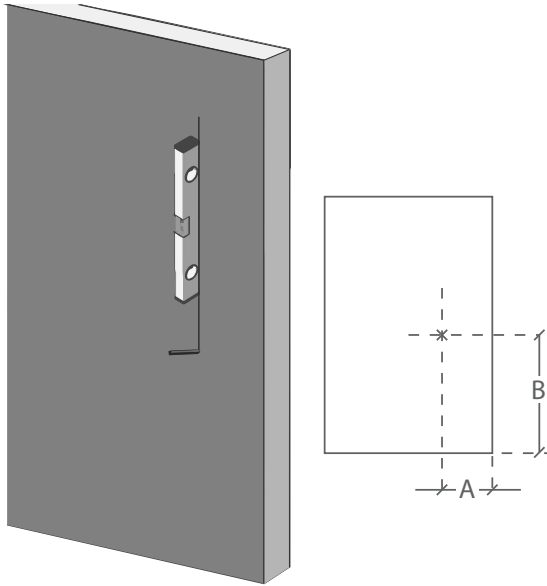
Showroom

431 Church St, Richmond, Victoria,
 Australia, 3121

Prepare Door Height

Applicable:
~~GD~~
 TM
 B
 PH
 CSK
 S

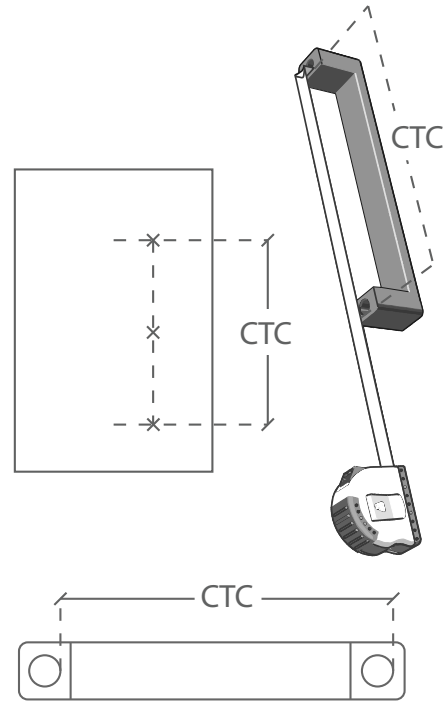
- > Determine your nominated handle position horizontally and vertically.
- > Then, draw a vertical centreline using a spirit level at desired or nominated distance from door edges.



1. 2.

Prepare Door - Centre to Centre

Applicable:
~~GD~~
 TM
 B
 PH
 CSK
 S

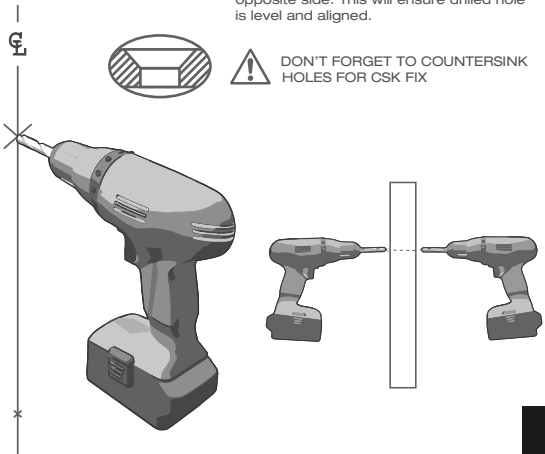


- > To measure product CTC exactly, measure from outside of one hole to inside edge of the other hole (see diagram).
- > Mark CTC on door ensuring centre line lies on your marked centre point.
- > Repeat steps 1 & 2 on other side of door for back-to-back fixing.

Drill Door Holes

*Refer to page 1 for details

Applicable:
~~GD~~
 TM
 B
 PH
 CSK
 S



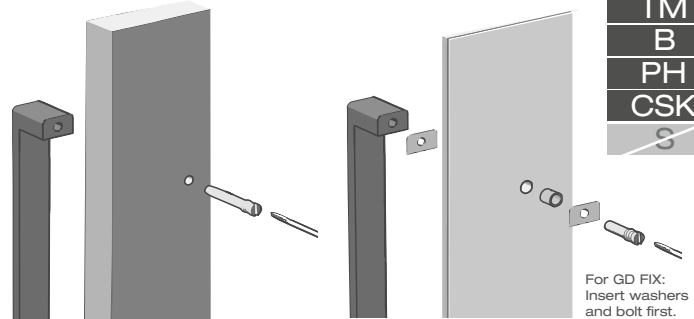
- > When drilling through door, start by drilling halfway through one side, then finish from opposite side. This will ensure drilled hole is level and aligned.
- ! DON'T FORGET TO COUNTERSINK HOLES FOR CSK FIX**

3. 4.

Insert Bolts

- > Hold external handle against face of door, insert and then fasten screw.

! WARNING!
DO NOT OVERTIGHTEN!



TIMBER DOOR

GLASS DOOR

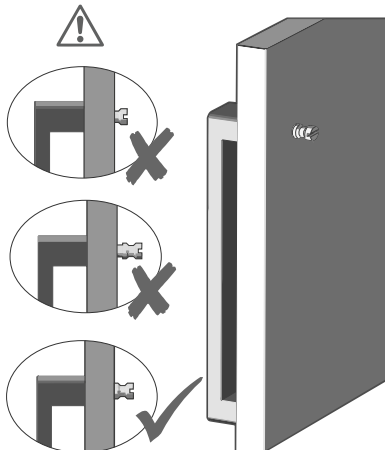
Applicable:
~~GD~~
 TM
 B
 PH
 CSK
 S

For GD FIX:
Insert washers and bolt first.

Bolt Installation

Applicable:
~~GD~~
 TM
~~B~~
~~PH~~
~~CSK~~
~~S~~

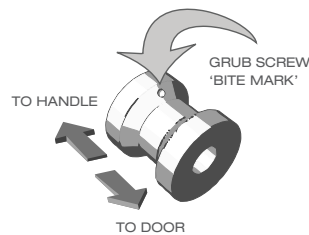
- > Hold external handle firmly against the face of the door and screw in shoulder bolt.
- > Inside face of bolt should line up with the face of the door and should have the ability to slide a piece of paper slide behind it (if it doesn't, bolt is too tight).
- > Refer to diagram for correct calibration method.



5. 6.

Bolt Installation

Applicable:
~~GD~~
 TM
~~B~~
~~PH~~
~~CSK~~
~~S~~



- > If grub screw is not inserted, insert into thread.
- > Slide product onto bolt heads and hold firmly against door face.
- > Tighten grub screw.

